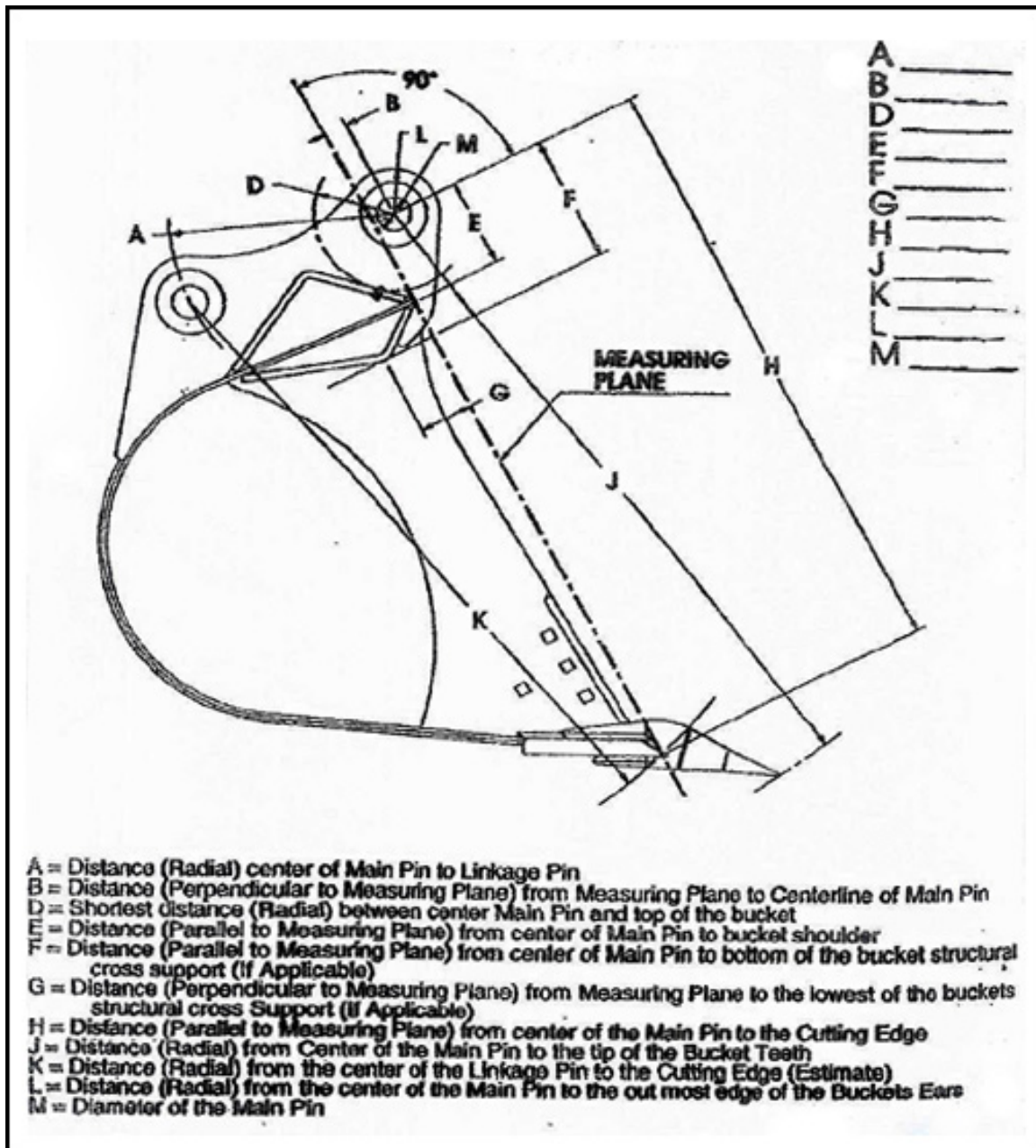
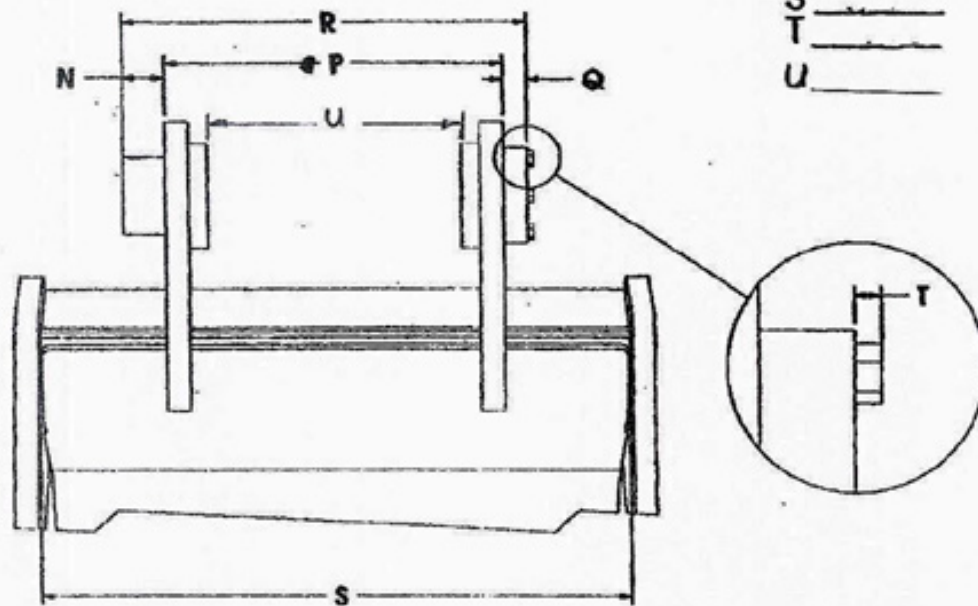


Bucket Take-Off Sheet





Z
 Y
 X
 W
 V
 U
 T
 S
 R
 Q
 P
 O
 N
 M
 L
 K
 J
 I
 H
 G
 F
 E
 D
 C
 B
 A

- N = Width of left bucket lugging (if Any) on outside of bucket ear
Do not include protruding shim pack bolts (if any - see "T" below)
- P = Width from outside edge to outside edge of bucket ear
- Q = Width of right bucket lugging (if Any) on outside of bucket ears
Do not include protruding shim pack bolts (if any - see "T" below)
- R = Total width from the outside to outside of bucket lugging
Do not include protruding shim pack bolts (if any - see "T" below)
- S = Inside to inside of bucket walls at top lip of bucket.
- T = Distance (if Any) bolt head protruding from shim pack